

Options & Accessories

Stanley Cookbook

Cooks love their Stanley! Handcrafted from cast iron, it is perfect for baking and wonderful for slow-cooking casseroles and roasts. To help you get to know your Stanley, we have produced this cookbook containing many recipes that are ideally suited to the exceptional qualities of Stanley Range Cookers.



Stanley plate rack & splashback

A cast iron plate rack and splashback provide a stylish and practical way to keep plates and serving dishes warm. The plate rack and splashback are available in a range of colours to match your range cooker.



Stanley Cookware

For the best cooking performance on your Brandon, it is imperative that a heavy based machine ground pot or pan is used. The 5 piece range of Stanley cast iron cookware has been specifically designed to optimise range cooking performance – bringing out the true flavour of your food.



Stanley Cleaners

We recommend the use of Stanley Enamel cleaners on all Stanley range cookers. The cleaners have been specially formulated to clean and maintain the enamel finish. For those models with stainless steel or chrome trim, we also have a stainless steel cleaner.



Installation

For generations, Stanley Range Cookers have been renowned for their durability, superb efficiency and powerful performance. When it comes to ensuring your new range cooker's safe and efficient operation we recommend using a Stanley approved installer. For total peace of mind, we recommend having a site survey carried out before purchase.

Servicing

In order to ensure the efficient operation of your range cooker, the unit must be thoroughly cleaned on a regular basis and the corresponding chimney system cleaned every six months.

Warranty

Waterford Stanley will replace free of charge, any working part that fails (under normal operating conditions) within 12 months of purchase.

Spare Parts

Your local Stanley dealer will be pleased to supply spare parts and to provide any other information you require.



HETAS is the official body recognised by Government to approve solid fuel domestic heating appliances, fuels and services. Established in 1936, HETAS Ltd. is the official testing and approval body for the domestic solid fuel industry. HETAS Ltd. approves and gives the three tick logo mark of quality assurance to solid fuels and solid fuel stoves.



All Stanley Solid Fuel and Woodburning range cookers are manufactured in Waterford, Ireland.



Waterford Stanley Ltd.,
Waterford Industrial Estate,
Waterford.

Republic of Ireland
General Number: 051 302300
Sales: 051 302 302
Service: 051 302333
Local: 1850 302502
Fax: 051 302315

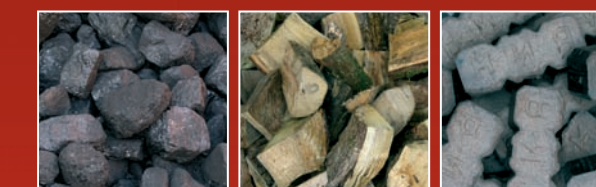
Northern Ireland
Sales: 028 87722195

U.K.
Sales: 01978 290865
Service: 0870 7512521
Order Faxline: 01978 290885

www.waterfordstanley.com

YOUR STANLEY STOCKIST:

€2



Solid Fuel & Woodburning
Range Cookers



Solid Fuel & Woodburning Range Cookers

For generations Stanley's solid fuel range cookers have brought warmth to homes and hot food to families. Today, solid fuel is an increasingly popular lifestyle and economic choice for many homes. Each Stanley solid fuel model combines classic good looks with durability and efficiency, and can run on a wide range of solid fuels. With three models to choose from, and heating, hot water and cooking options available, Stanley range cookers are in harmony with today's busy lifestyle.



Donard Dimensions

Front view	A	B	C	D	E	F*	G
Metric (mm)	885	920	1320	995	145	480	195
Imperial (inches)	35	35 1/2	52	39 1/2	5 7/8	18 3/4	17 3/4

Side view	H	J	M	N
Metric (mm)	230	590	N/A	150
Imperial (inches)	9	23 1/2	1" BSP	5 7/8

* width from back of cooker to front of doors is 530mm 20 7/8 inches

Errigal Dimensions

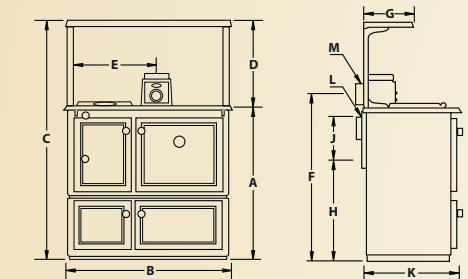
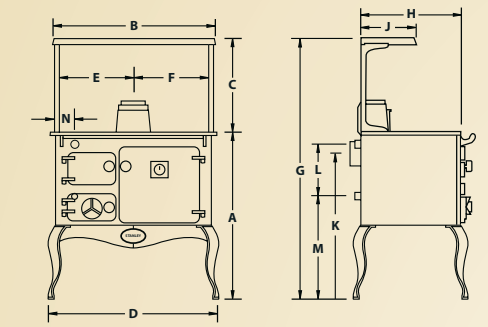
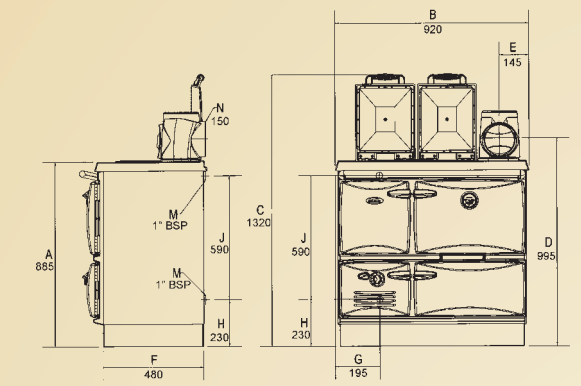
Front view	A	B	C	D	E	F
Metric (mm)	880	905	510	950	452	452
Imperial (inches)	34 3/4	35 5/8	20 1/2	37 3/8	17 3/4	17 3/4

Side view	G	H	J	K	L	M	N
Metric (mm)	1390	565	290	725	225	590	135
Imperial (inches)	55 1/2	22 1/4	11 1/2	28 1/2	9	23 1/2	5 1/2

Comeragh Dimensions

Front view	A	B	C	D	E
Metric (mm)	920	890	1485	565	450
Imperial (inches)	36 1/4	35 1/2	59 1/2	22 1/2	17 3/4

Side view	F	G	H	J	K	L	M
Metric (mm)	1002	305	610	251	575	N/A	127
Imperial (inches)	39 1/2	12 1/4	24	9 7/8	23	1" BSP	5"



Recommended Fuels

Stanley Range Cookers operate best on the following fuel types, in order of heat output.

- Coal or anthracite
- Seasoned hard wood
- Dry turf or briquettes
- Soft woods



Donard

The Donard combines classic range cooker styling with exceptional performance. Available in Solid Fuel or Woodburning models.

Features

- Twin hotplate covers
- Large capacity main oven
- Second warming oven
- Heats up to 12 radiators
- Front firebox loading

Dimensions

Height 885mm (1450mm with splashback and plate rack)
Width 920mm
Depth 530mm
Fuel box: 0.02m³, suitable for 380mm logs

Colours available for the Donard*



1 Forest Green 2 Blue 3 Black 4 Cream 5 Claret 6 Mink

Accessories

- Plate rack and splashback
- Back and side fillers
- Stanley enamel cleaner
- Cast iron cookware set

HETAS rating

- Solid Fuel model: 69.5% when burning smokeless fuel
- Woodburning model: 68% when burning wood only

Errigal

The Errigal's surface can be extended with optional side shelves, giving you valuable working space.

Features

- Large firebox
- Full width cooking surface
- Large capacity main oven
- Central heating, domestic hot water and dry cooker models available
- Front or top firebox loading

Dimensions

Height 880mm (1550mm with splashback and plate rack)
Width 900mm
Depth 560mm
Fuel box: 0.017m³, suitable for 350mm logs

Colours available for the Errigal*



1 Forest Green 2 Blue 3 Matt Black 4 Cream 5 Black Enamel

Accessories

- Plate rack and splashback
- Overhead cupboard and splashback
- Optional hotplate cover
- Side shelves
- Stanley enamel cleaner
- Cast iron cookware set

Comeragh

The Comeragh is designed with a large capacity roasting oven and a substantial hotplate.

Features

- Large capacity roasting oven
- Hotplate with graded heating areas
- Insulating cover as standard
- Heats up to 8 radiators

Dimensions

Height 920mm (1485 with splashback and plate rack)
Width 890mm
Depth 575mm
Fuel box: 0.017m³, suitable for 350mm logs

Accessories

- Plate rack and splashback
- Stanley enamel cleaner
- Cast Iron cookware set

Colours available for the Comeragh*



1 Mink 2 Cream 3 Black Enamel

*Print colours may not necessarily reflect the actual colour of range. Drop in to your local Stanley stockist for precise colours.

Model Specifications

Features	Donard Solid Fuel	Donard Woodburning	Comeragh	Errigal 50	Errigal 10	Errigal DC
Function						
Solid Hotplate Cooking	•	•	•	•	•	•
Domestic Hot Water	•	•	•	•	•	
Central heating	•	•	•	•		
Ovens						
Main Oven Capacity (litres)	49	49	51	53	53	53
Second Simmering Oven	•	•	•			
Output ² and Electricity ³						
Average Number of Radiators	12	6	8	8	n.a.	n.a.
BTU	60,000	30,000	47,000	47,000	10,000	n.a.
KW	17.6	8.5	13.8	13.8	3	n.a.

²Outputs are based on burning coal or anthracite. The use of other fuels will reduce their max output from the range.

³Solid fuel cookers don't require electricity, however if there is a central heating unit boiler electricity will be required for the circulating pump.

Hotplate and Oven Dimensions

Features	Metric (mm)			Imperial (inches)		
	Width	Height	Depth	Width	Height	Depth
Donard						
Hotplate	560	-	330	22	-	13
Roasting Oven	390	310	406	15 1/4	12 1/4	16
Simmering Oven	390	220	406	15 1/4	8 3/4	16
Comeragh						
Hotplate	268	-	252	10 1/2	-	10
Simmer Plate	390	-	246	15 3/8	-	9 3/4
Roasting Oven	400	324	396	15 3/4	12 3/4	15 3/4
Simmering Oven	492	300	435	19 3/8	11 3/4	17 1/2
Storage Compartment	325	300	435	12 3/4	11 3/4	17 1/2
Errigal						
Hotplate ¹	911.25 cm ²			144 in ²		
Roasting Oven	400	330	400	15 3/4	13	15 3/4

¹Errigal hotplate consists of four separate cooking plates

